

1-20µL Low Retention, Graduated Pipette Tips

Item# 150040, 150040RS, 150040RFS



Description

Globe Scientific CERTIFIED pipette tips are certified free from Human DNA, DNase, RNase, Pyrogens and PCR Inhibitors. These premium quality pipette tips are manufactured in a cleanroom using fully automated equipment. They are produced from medical grade virgin polypropylene (PP). All are graduated for accurate measurements. The universal fit design provides an airtight fit on most brands of pipettors. They are available in unique self-standing bags, racks and reloading stacks.

Features

- The ideal tip for minimum sample and reagent retention
- Tips feature a super clear and ultra-low binding, hydrophobic surface that is achieved using special resins and state-of-the-art molding equipment
- No silicon additives are used during manufacturing; possibility of sample contamination is eliminated
- Produced on state-of-the-art, fully automated production equipment
- Certified free from Human DNA, DNase, RNase, Pyrogens and PCR Inhibitors
- Heavy-metal free
- USP Class IV and ISO 10993 certified
- Available non-sterile in bags, sterile or non-sterile in racks, and non-sterile in reloading stacks

Packaging options:



Bulk in bag



Racked



Reloading stacks

Products

Item #	Volume Range	Tip Length	Tip Color	Sterility	Packaging	Unit
150040	0.1 - 20µl	45mm	Natural	Sterile	Bulk in Bag	1000 Tips/Bag
150040RS	0.1 - 20µl	45mm	Natural	Sterile	Racked	96 Tips/Rack, 10 Racks/Box
150040RFS	0.1 - 20µl	45mm	Natural	Sterile	Reloading Stack	96 Tips/Tray, 10 Trays/Stack

1-20 μ L Low Retention, Graduated Pipette Tips

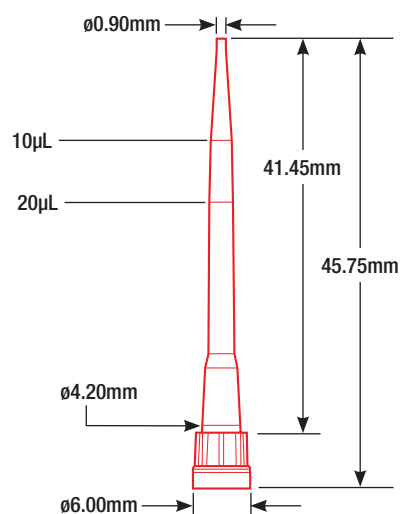
Item# 150040, 150040RS, 150040RFS

Technical Specifications

- Material: Virgin Polypropylene (PP)
- Autoclavable: Yes
- Graduations: Molded, 10 μ L, 20 μ L
- Maximum Volume: 20 μ L
- Sterility: Sterile



Tip shown actual size



Customer service, sales and technical support:

Phone 1 (800) 394-4562 • 1 (201) 599-1400
Fax 1 (201) 599-1406
E-mail mail@globescientific.com

Globe Scientific Inc.

400 Corporate Drive
Mahwah, NJ 07430
www.globescientific.com

